



NJORDAIR

www.fasttentglobal.com
Tel: +44 (0)1477 750777
e-mail: info@fasttentglobal.com

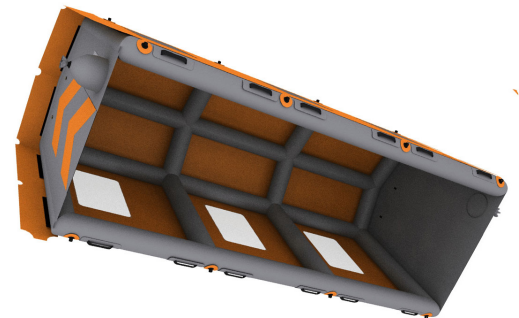
2m Fast Tent Module Sealed Air



Dimensions	
Length	5m
Width (outside)	2m
Width (inside)	1.5m
Height (outside)	2.25m
Height (inside)	2m
Packed Size	1m x 0.9m x 0.9m
Weight (tent only)	148Kg

Construction

Frame	Plato 1140 gsm FR PVC (M2) 25cm diameter tubes
Side Walls	Gloss 630 gsm Fire Retardant PVC (M2)
End Walls	2 x removeable - 620gsm Fire Retardant PVC (M2)
Roof	620gsm Fire Retardant PVC (M2)
Module connections	6 x 80cm dutch lacing sections + rain cover

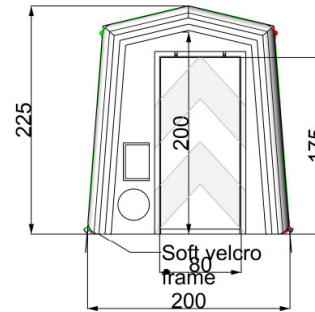
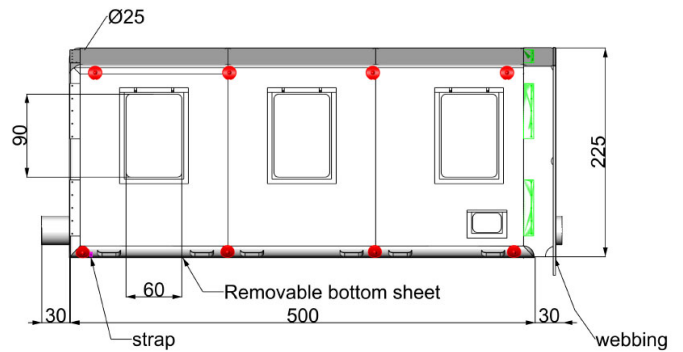


Standard Features

Windows	6 x clear PVC windows (60cm x 90cm)
Access	2 x pedestrian door (1m wide x 2m high)
Fans	Sealed Air Fan with Automatic Pressure Sense + 2.5m hose
Fill Points	1 x inflation / deflation valve, 1 x pressure sense valve, 1 x pressure-release valve
Deflation Zips	n/a
Internal Ties	24 x webbing loops
Document Pouch	350mm x 350mm pouch in each end wall
Ducting Hole	2 x 300mm ducting holes with PVC 'sock' and tie



Anchors	
Per Side	
High Level	4 x heavy duty, multi directional webbing - 150Kg capacity (red/green colour coded)
Mid Level	n/a
Ground Level	4 x heavy duty, multi directional webbing - 150Kg capacity (red/green colour coded)
Per End	
High Level	n/a
Ground Level	n/a
Standard Accessories	
Transport Bag	Heavy duty PVC transport bag
Repair kit	620 gsm PVC material, glue, needle & thread
Stakes	8 pcs x 40cm long + 8 pcs x 1m long reinforced steel
Ties	8 pcs x 10mm 5m rope



Colours (Standard Tent)	
Frame	Grey
Exterior	Orange
Interior	Orange
End Walls	Grey
Doors	Orange / grey chevron detailing
Custom Orders	
Colours	12 colours
Custom branding / logos*	
Sides	2 x removeable digitally printed PVC banners - 200cm L x 45cm H
End Walls	n/a
*A print quality logo (vector or EPS file) must be supplied	

5m long modules can be used 'standalone' or quickly joined together to create a larger construction tent. (End wall removable).

